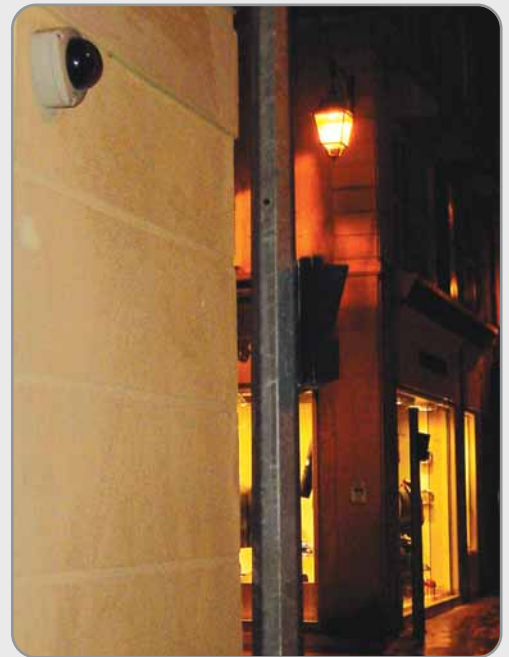


## Mini Fixed Dome Cameras

### INTRODUCTION

More discreet than non-dome security cameras, the SSC-CD43VP and SSC-CD73VP dome cameras are ideal for surveillance sites such as building entrances, retail stores and shopping malls, where less noticeable video cameras are preferred. In addition to their discreetness, Sony mini domes feature a sleek, triangular design that fits smartly and installs easily into any surveillance environment.

The SSC-CD73VP camera incorporates a "Day/Night" function to capture high-quality, colour images during the day and clear, black and white (B/W) images at night. Ideal for outdoor applications, the ruggedised model is equipped with a heavy-duty enclosure that features an Ingress Protection Rating of IP66. The SSC-CD43VP features a non-ruggedised housing which is ideally suited for indoor use. Both models incorporate a 1/4 type Super HAD CCD® offering high resolution and high sensitivity, and a built-in auto iris vari-focal lens that covers a wide range of viewing angles. As for their power source, both models accept both DC 12 V and AC 24 V for proper operation and flexible installation.



SSC-CD73VP  
SSC-CD43VP



# Mini Fixed Dome Cameras

## FEATURES

### High Picture Quality

Both mini domes incorporate a 1/4 type Super HAD CCD for high horizontal resolution and excellent sensitivity. The SSC-CD73VP colour camera provides a high resolution of 480 TV lines and operates under a minimum illumination of 0.9 lx (colour mode)/0.2 lx (B/W mode)<sup>\*1</sup>. The SSC-CD43VP colour camera also provides a high resolution of 480 TV lines and features a minimum illumination of 0.8 lx<sup>\*1</sup>.

<sup>\*1</sup> AGC On, F1.0, 50 IRE

### Day/Night Function (SSC-CD73VP)

The SSC-CD73VP offers a "Day/Night" function to provide optimised sensitivity in both day and night shooting scenarios. As the scene illumination reduces and the acquired image darkens, the infrared cut filter is automatically removed and the camera switches to B/W mode, requiring only a minimum illumination of 0.2 lx. Incorporating an IR optimised lens for the "Day/Night" function, the camera can produce clear and crisp images under normal illumination or when used with near-IR illuminators. In addition, "Day/Night" modes can be automatically switched, or manually initiated on demand through an external control signal.

### Ruggedised Design (SSC-CD73VP)

The SSC-CD73VP mini dome is housed in a heavy-duty aluminium die-cast enclosure with a durable polycarbonate viewing window which complies with the IP66 standard. The extremely durable camera enclosure can withstand strong, external impacts and is equipped with anti-theft screws to further deter tampering and vandalism.

### Built-in CS Mount, Auto Iris Vari-Focal Lens

The SSC-CD73VP and SSC-CD43VP mini domes come with a built-in CS mount, auto iris varifocal lens with a focal length of 3.0 to 8.0 mm to cover a broad range of viewing choices and feature a new masked dome cover with a clear slit. The versatile lens (SSC-CD73VP) compensates the focal length difference between visible light and infrared light. The result is clear and crisp images (the subject remains in focus) when going from visible to infrared light and vice versa.

### Easy Mounting and Installation

Picture adjustment after installation is easy thanks to the incorporated lens. The position of the mini dome's vari-focal lens can be freely rotated to allow for quick and easy changes in the viewing area after installation.

### External Sync Line Lock (for AC only)

All of these mini dome cameras feature AC line lock for external synchronisation. Using the AC power frequency (50 Hz) as the vertical sync reference, roll-free switching for multi-camera installations can be achieved. These cameras also have an externally adjustable Vertical Phase ( $\pm 90^\circ$ ) control so that accurate synchronisation can be attained.

### AC 24 V/DC 12 V Operation

Either AC 24 V or DC 12 V is selected automatically for proper operation.

### AGC/Turbo AGC™

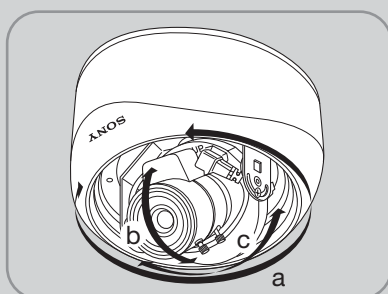
The AGC (Automatic Gain Control) function boosts the camera's video gain so that subjects under low illumination can be distinguished clearly. The SSC-CD73VP and SSC-CD43VP mini domes are switchable from Turbo AGC (up to 24 dB) or Off.

### Wide Range ATW

The Automatic Tracing White (ATW) feature automatically adjusts the camera's white balance in accordance with any changes in lighting conditions and different illuminants. This ensures the appropriate colour balance for an image. These cameras provide an extremely wide ATW range of 2,000 K to 10,000 K, allowing adjustment-free operation under a variety of lighting conditions.

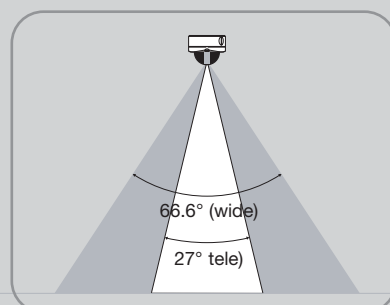
### BLC ON/OFF

Centre-weighted backlight compensation is incorporated to make the subject more visible under backlight conditions.



a (Panning):  $\pm 150^\circ$   
b (Tilting):  $\pm 75^\circ$   
c (Rotating):  $\pm 150^\circ$

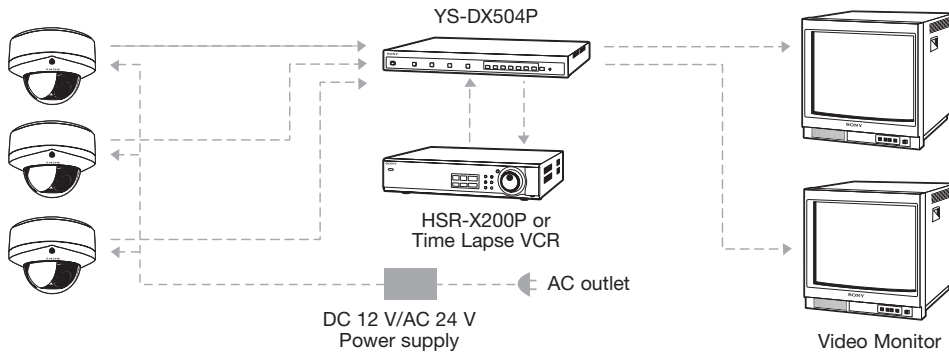
Adjustment range of lens angle



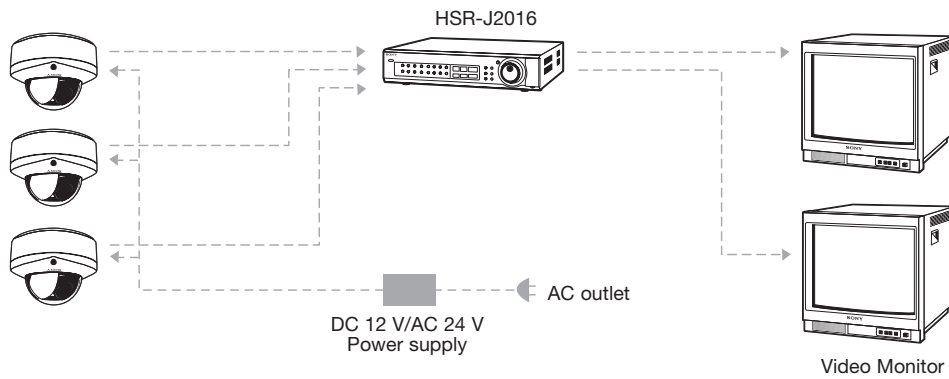
Horizontal angle of view (SSC-CD73VP)

# MULTIPLE CAMERA OPERATION

## Mini Fixed Dome Series



## Mini Fixed Dome Series



Ceiling Flush Mount (SSC-CD43VP)

\* Optional YT-ICB43V in-ceiling bracket is required.



Ceiling Surface Mount (SSC-CD43VP)

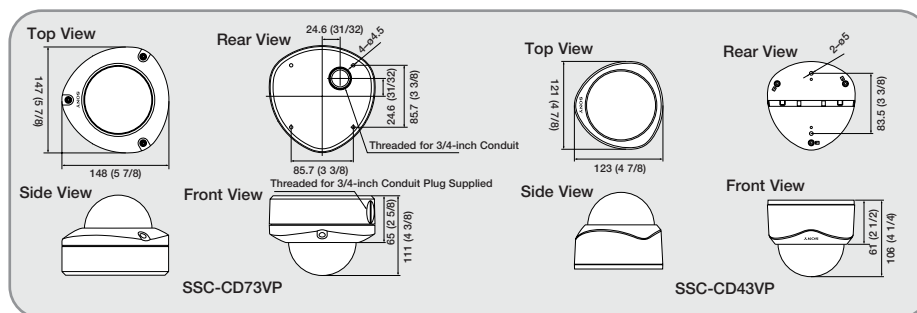
# SPECIFICATIONS

## SSC-CD73VP

## SSC-CD43VP

Type	Ruggedised	Non-ruggedised
Signal system		PAL
Image device		1/4 type Super HAD CCD
Effective picture elements		752 (H) x 582 (V)
Horizontal resolution		480 TV lines
Minimum illumination	Colour: 0.4 lx at F1.0 (30 IRE, AGC ON) 0.9 lx at F1.0 (50 IRE, AGC ON)	0.4 lx at F1.0 (30 IRE, AGC ON) 0.8 lx at F1.0 (50 IRE, AGC ON)
	B&W: 0.1 lx at F1.0 (30 IRE, AGC ON) 0.2 lx at F1.0 (50 IRE, AGC ON)	— —
S/N ratio		More than 50 dB (AGC OFF, Weight ON)
Built-in lens		Vari-focal auto iris lens, CS-mount
Focal length		f=3.0 to 8.0 mm
Maximum relative aperture		F1.0
Minimum object distance		0.2 m
View angle	W=84.6° (D), 66.6° (H), 49.3° (V) T=33.8° (D), 27° (H), 20.2° (V)	W=84.7° (D), 66.6° (H), 49.3° (V) T=33.6° (D), 26.9° (H), 20.1° (V)
White Balance (WB)		ATW, 2,000 K to 10,000 K
AGC		Turbo AGC (up to 24 dB) / OFF switchable
Back-Light Compensation (BLC)		ON (Centre measured) / OFF switchable
CCD IRIS		1/50 to 1/1000000 s
Sync system		Internal or AC line lock (for AC 24 V)
Video out		BNC, 1.0 Vp-p, 75 Ω, sync negative
Operating temperature		-20 °C to +50 °C (-4 °F to +122 °F)
Storage temperature		-40 °C to +60 °C (-40 °F to +140 °F)
Operating humidity		20% to 80% (non condensing)
Storage humidity		20% to 95% (non condensing)
Power requirements		AC 24 V ±10% or DC 12 V ±10 % (Automatically switched)
Power consumption	3.6 W	3.3 W
Mass	Approx. 1,150 g (2 lb 10 oz)	Approx. 440 g (16 oz)
Dimensions (W x H x D)	147 x 111 x 148 mm ) (5 7/8 x 4 3/8 x 5 7/8 inches	121.3 x 106.8 x 122.5 mm (4 3/4 x 4 1/4 x 4 7/8 inches)
Supplied accessories	Screw TP4 x 30 (4), Monitor cable (1), Screwdriver (1), External control terminal connector (1), Operating instructions (1)	Screw TP4 x 30 (2), Dome cover screw (1) Monitor cable (1), Operating instructions (1)

### Dimensions: Unit: mm (inches)



### Optional accessories

YT-ICB73V  
In-ceiling bracket for SSC-CD73VP

YT-ICB43V  
In-ceiling bracket for SSC-CD43VP