

# **Product Specification**

## **DLP™ SVGA Projector Model: VS-38VD10U**

**Mitsubishi Electric Corporation  
Kyoto Works**

Date: Feb. 04, 2003

## VS- 38VD10U SPECIFICATIONS

### Overview

This product is designed for banner-style horizontal configuration.

### (1) Image Panel

Type	DLP™ (0.7" DMD™ 1 chip)
Resolution	800 x 600 pixels

### (2) Electric Specification

Signal input terminal	Analog RGB: 5BNC (RGBHV) x1 Digital RGB: MDR 20 pins x1	
Input scanning frequency	Horizontal	31kHz – 40kHz Sync width: > 0.5 $\mu$ S BP width: > 50 clocks Sync width + BP width: > 150 clocks No interlace signals
	Vertical	49Hz – 61Hz Sync width: > 2lines Sync width + BP width: > 15lines FP width: > 1lines
Pixel clock rate	33 – 43MHz	
Analog RGB video input	Signal	Video: 0.7V <sub>P-P</sub> +/- 3% positive / 75 $\Omega$ Synchronous: TTL level (positive/negative) High level: 2.5 – 5.0V Low level: 0 – 0.5V Sync on green: Video: 0.7V <sub>P-P</sub> +/- 3% positive Synchronous: 0.3V <sub>P-P</sub> +/- 3% negative
Digital RGB video input	Signal	TMDS (DFP Pin assignment) Refer to attached fig.
Control signal input	RS-232C: D-sub 9 pins	
	RS-422: D-sub 9 pins x2 (input, output)	
	Wire remote: F3.5 Jack x2 (input, output)	
	IR receiver	
Set up switch	8 bits x 2	
Gray scale resolution	8 bits (10 bits after dither)	
Function	Color Space Control Warning indicator	
Light source	Ultra-high pressure mercury lamp 100W (average lifetime 10,000 hours <sup>*(1)</sup> )	
Voltage range	AC 100 – 240V +/-10%, 50/60Hz +/-5%	
Power consumption (100/240V)	200/200 W	
Operating current (100/240V)	3.0/1.5 Amp.	
Inrush current (100/240V)	30/60 Amp.	

<sup>\*(1)</sup> Average lamp life is average value advised by Lamp Manufacturer. The definition of the average lamp life is 50% of lamps can survive or have more than 50% brightness at the average lamp life.

**(3) Optical Specification**

Screen size	38" Diagonal size (772mm x 579mm)	
Brightness (at full-bit on, screen center)	710 cd/m <sup>2</sup> (typ.)	
Viewing angle	Horizontal: +/- 59 deg. Vertical: +/- 23 deg.	
Brightness uniformity	70% at 90% image height (typ.)	
Contrast ratio	300:1 (typ.)	
Color primaries (Target)	White	u' =0.183, v' =0.489
	Red	u' =0.427, v' =0.533
	Green	u' =0.144, v' =0.576
	Blue	u' =0.158, v' =0.195
Lateral color shift Red (610nm) – green (546.1nm) Blue (470nm) – green (546.1nm)	< 1.5 pixel	
Geometry distortion	< 0.5%	

**(4) Mechanical Specification (Refer to attached Fig.)**

Dimensions	Width	772mm
	Height	682mm
	Depth	628mm
Weight	42kg	
Packing dimensions	Width	892mm
	Height	792mm
	Depth	757mm
Packing weight	50kg	
Accessories	User's guide Power cord for North America Power cord for Europe Cube connection control cable Hanging bracket Projector joint parts Hanging bracket fixing parts	

**(5) Environment**

Temperature and humidity condition at operation	10°C – 35°C, 20% – 80% non condensing
Temperature and humidity condition at storage	-20°C – 50°C, 20% – 80% non condensing

**(6) Safety Approval**

Safety approval	UL1950, CSA22.2No.950, IEC950
EMC	FCC part15 Class A Industry Canada Class A EN55022 Class A, EN55024, EN61000-3-2

**(7) Options**

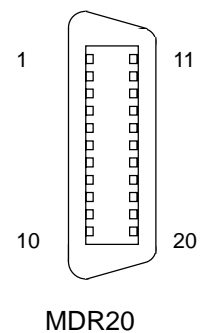
R-FD10TX	Remote control unit
VC-B10KA	Scaling / video input board
S-VD10LA	Spare lamp
S-VD10FIL	Air filter

DLP™ (Digital Light Processing) and DMD™ (Digital Micromirror Device) are trademarks or registered trademarks of Texas Instruments.

## DIGITAL SIGNAL INPUT TERMINAL

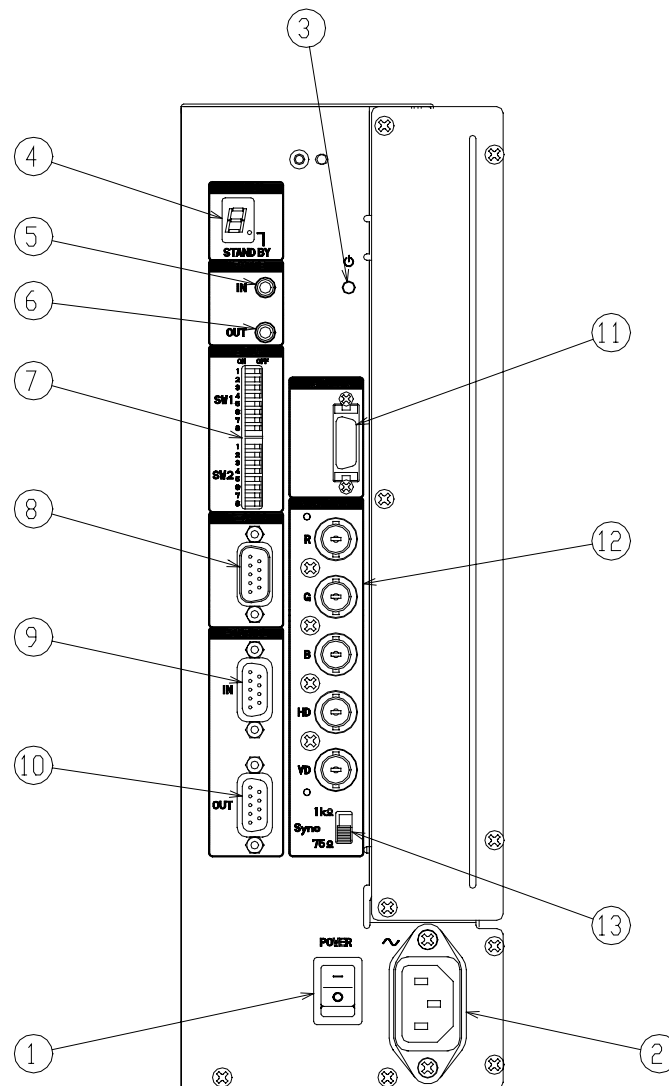
Connect to the DIGITAL IN terminal using the DFP cable.

Pin No.	Signal	Pin No.	Signal
1	RXO -	11	RXC -
2	RXO +	12	RXC +
3	RXO Shield	13	RXC Shield
4	RX2 Shield	14	RX1 Shield
5	RX2 -	15	RX1 -
6	RX2 +	16	RX1 +
7	DDCSCL	17	NC
8	DDCSDA	18	SENS
9	NC	19	DDC +5V
10	NC	20	DDC GND



Interface Standard: DFP (VESA Digital Flat Panel Display Standard)

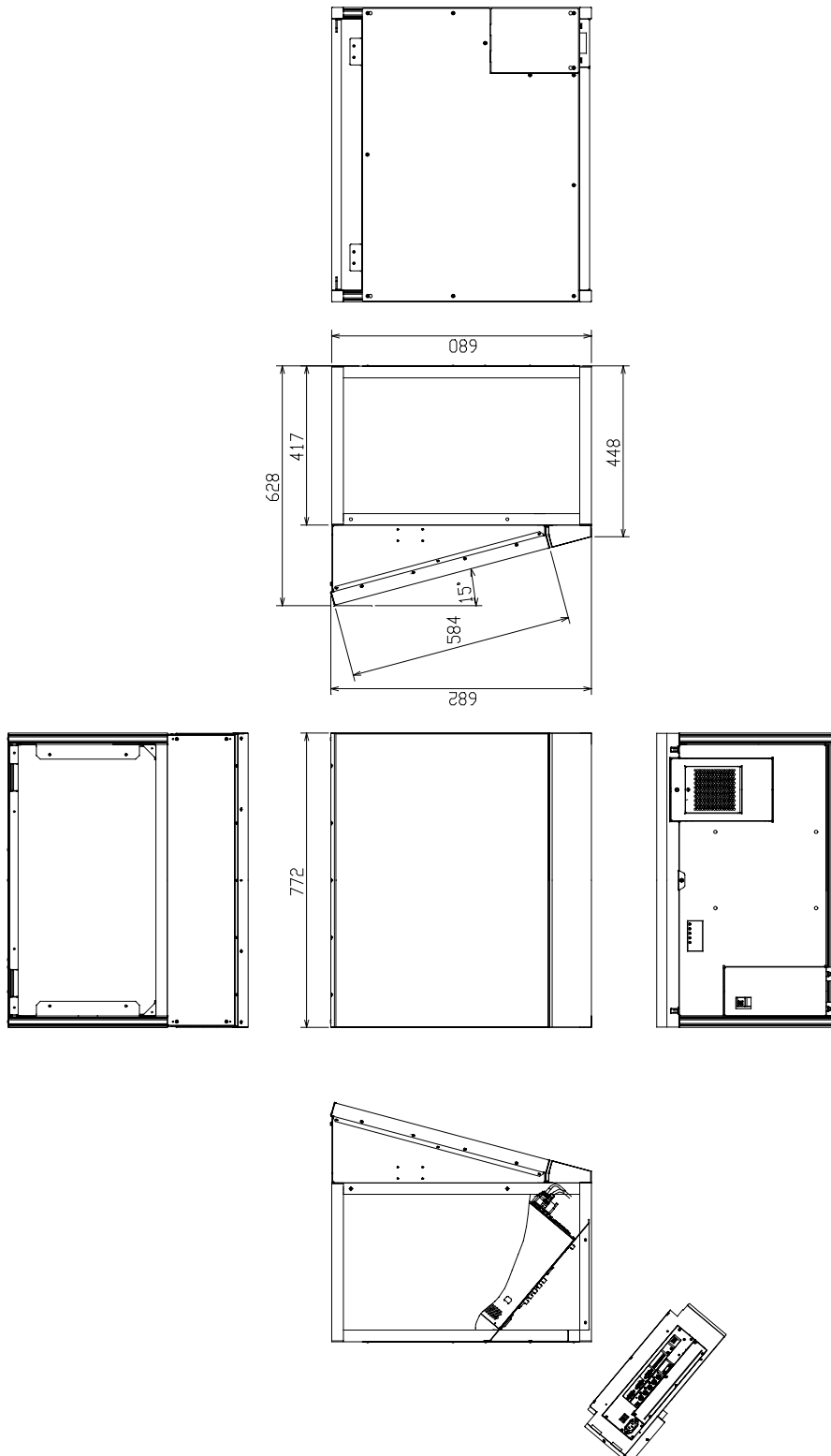
## Control Panel



1. Main power switch
2. AC inlet
3. Stand-by power switch
4. Status LED display
5. Wired remote control in
6. Wired remote control out
7. Set up switch
8. RS-232C in
9. Control in
10. Control out
11. Digital in
12. Digital out
13. Sync 75 ohm / 1K ohm switch

External Dimensions

Unit: mm



Packing specification

