

TG2616FCS-3

2.6mm F1.6
for 1/3" format cameras
CS-Mount

with Focus, w/o Amplifier

Model No.	TG2616FCS-3		Effective	Front	φ 19.0 mm
Focal Length	2.6mm		Lens Aperture	Rear	φ 7.1 mm
Max. Aperture Ratio	1 : 1.6		Back Focal Length	7.6 mm	
Max. Image Format	4.8 x 3.6mm (φ 6mm)		Flange Back Length	12.5 mm	
Operation Range	Iris	F1.6 ~ 360	Mount	CS-Mount	
	Focus	0.1m ~ Inf.	Filter Size	-	
Control	Iris	Auto Iris(by galvanometer)	Dimensions	φ 32.0 × 39.8 × 34.7 mm	
	Focus	Manual	Weight	47g	
Object Dimension at M.O.D.	23.3 x 15.3cm				
Angle of View	D		121.2°		
	H	1/3"	98.7°		
	V		74.9°		
Coil	Drive	190 Ω			
	Control	855 Ω			
Operating Temperature	-20° C ~ +50° C				

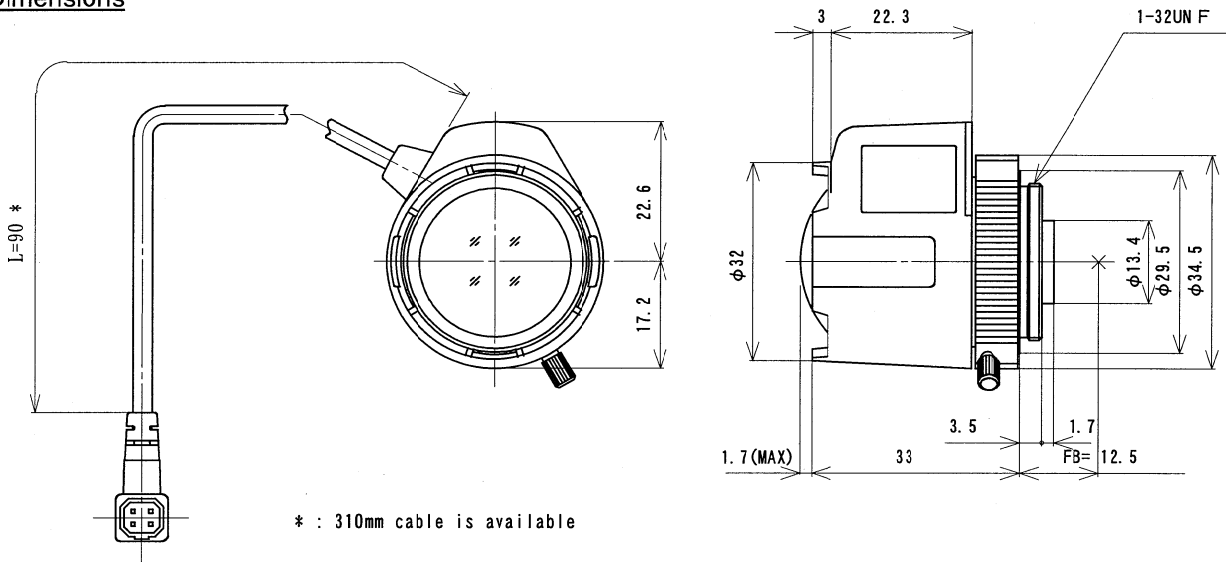
1/3

CS

AG

M.O.D. : Minimum Object Distance

Dimensions



Wiring Diagram

