

DLP user control panels

Dynalite DLP series user control panels are an aesthetically pleasing, cost-effective method of providing integrated automation in commercial buildings and homes. They are available in two configurations; a single column, which provides for button configurations of one to five buttons, and a dual column design for up to ten buttons. Smooth action buttons with LED indicators provide both tactile and visual feedback and are easily removed for engraving, further assisting the identification of switch function. The Dynalite DLP series user control panels incorporate a miniature DyNet control network socket, which is accessed by removing the snap-on panel cover, enabling system adjustments and programming to be carried out from any user control panel on the network. Infra-red (IR) receive capabilities have been integrated, eliminating the need for separate sensors where IR remotes are required.



technical data

Supply

12V DC 20mA from the DyNet network

Control Inputs

1 x RS 485 DyNet serial port

Front Cover Finishes

Electric White (standard), Ivory, Cream, Beige, Black, Polished Brass, Brushed Stainless Steel, Brushed Bronze. Other colours and metal finishes available upon request.

Button Colours

Electric white (standard) or charcoal grey. Other colours available upon request

LED Indicators

Blue (standard), Red or Green. Other colours available on request

Operating Climate

0° to 50°C ambient temperature
0% to 95% RH non condensing

Compliance

CE, C-Tick

Materials

Grid Plate & Rear Cover - ABS
Plastic Covers - ABS
Switch Membrane - Silicone
Metallic Covers - Anodised Aluminium, Stainless Steel, Brass

Weight

Packed weight 0.15kg

standard panel configurations (others available upon request)



1 button



2 button



5 button



6 button



7 button



10 button

alternate finishes

The Dynalite DLP user control panels include an extensive designer range of cover, button cap and bezel colour accessories. In addition to the standard white, cover finishes include Ivory, Cream, Beige, Black, Polished Brass, Brushed Stainless Steel and Brushed Bronze. To complement these finishes, button caps and bezels are available in white and charcoal grey, providing a wide range of décor matching capabilities. A dedicated IR receive switch cap is also available.



DLP user control panels

capability

Capability identifies the functionality of the control panels. Dynamalite user control panels are available in two levels; the 9 Series Configurable and 6 Series Smart panels.

9 Series Configurable	<ul style="list-style-type: none"> Custom Script Macros Multiple DyNet messages Conditional Logic 	One Touch	Preset	Program	Preset Up/Down	IR Input	
		On/Off Toggle	Panic	Multifunction Input Interface	Join (multiple rooms)		

9 Series Configurable

The 9 series configurable panel is used in any situation where additional functionality (above that which the 6 series can provide) is required. The power in the 9 series comes from the capability to run sequential and conditional logic routines. 9 series panels are used in more demanding applications such as;

- When describing the lighting control functionality using the words 'if' and/or 'then'
- Complex joining of multi-partitioned rooms
- Controlling light scenes in multiple areas
- Interfacing third-party devices to a DyNet network (multifunction input interface)
- In conjunction with smart faders
- Controlling chase sequences
- Infra red input

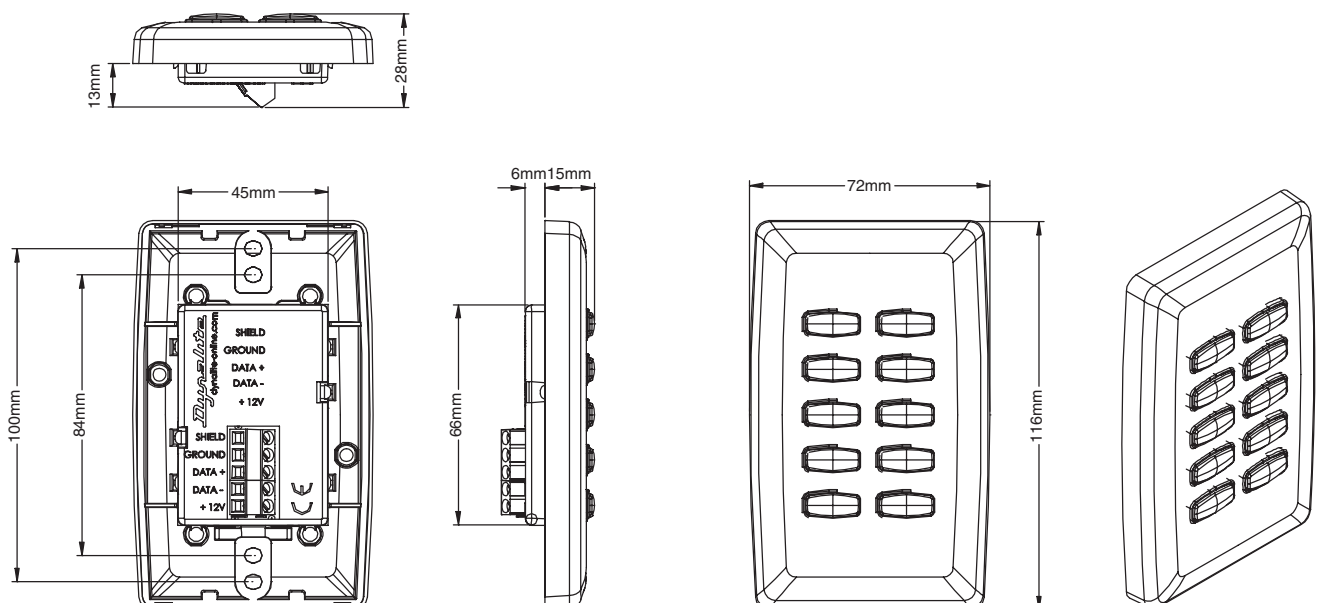
6 Series Smart	<ul style="list-style-type: none"> Single DyNet message 	One Touch	Preset	Program	Preset Up/Down	IR Input (optional)	
		On/Off Toggle	Panic				

6 Series Smart

The 6 series smart panel is the most commonly specified capability where a button press has to initiate a one-shot function. This reduces commissioning time, thereby reducing the overall installation costs. The standard 6 series functionality can be supplemented to accommodate a user defined need. This is achieved through programming a button press to trigger a macro in another device on the DyNet network to perform the macro. It is used for the following applications:

- Preset scene select for one or multiple areas
- Programming for a single area per control panel
- Optional infra-red input
- Control of multiple circuits using one touch keys
- Where a combination of preset and one touch keys are required

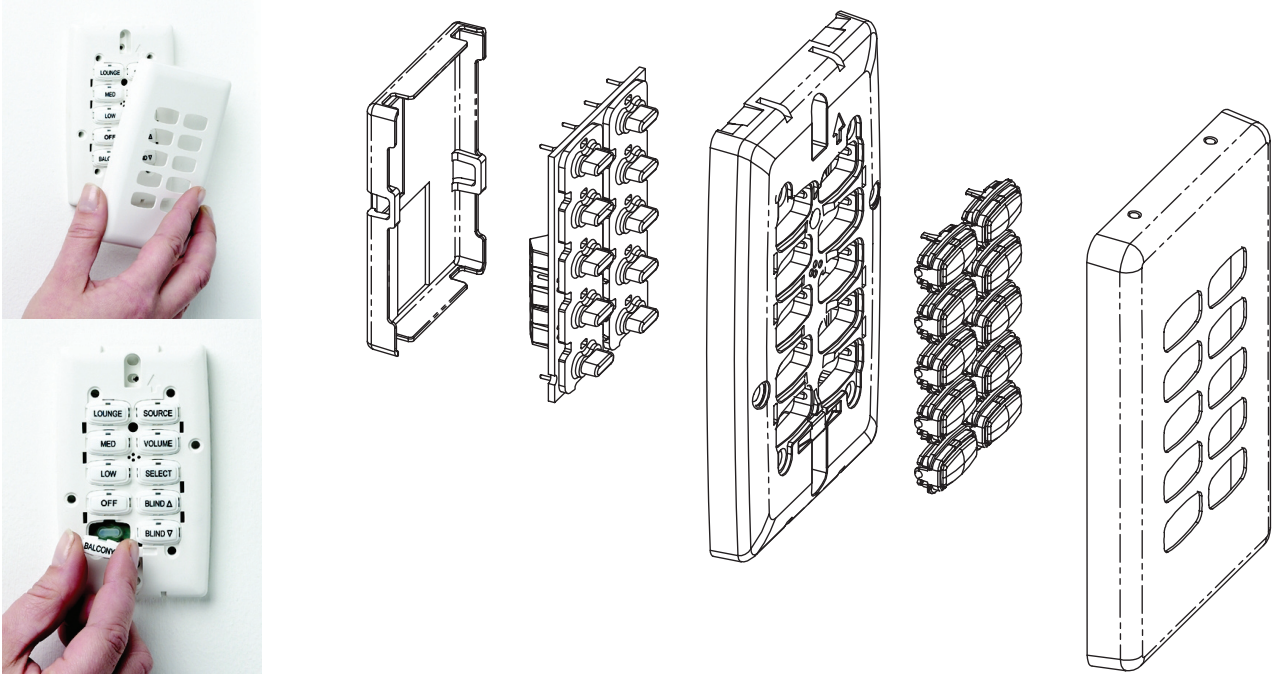
dimensions



DLP user control panels

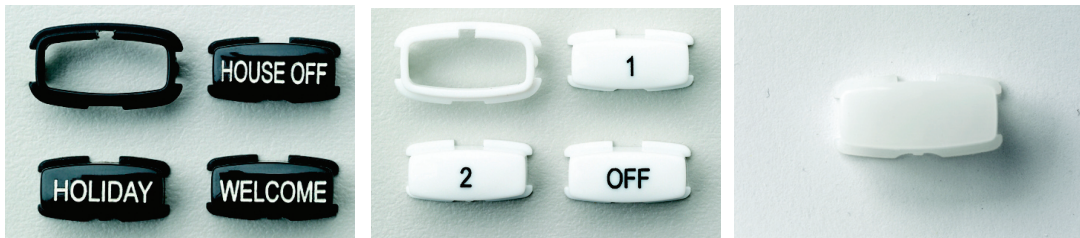
snap-on finish accessories

User requirements can shift over time and necessitate changes to, or additions of, buttons on an existing panel. Buttons, bezels and covers snap-on, enabling changes to be easily accommodated, without the need for any tools or extra wiring.



button caps

The button shape offers a generous area for text or symbols, ensuring that the function of each button is clearly discernable from normal viewing distances. Over nineteen standard engraved button caps are available ex-stock. Contact your local Dynalite dealer for details on custom engraving.



Charcoal (CH)

White (WE)

IR Receive (IR)

IR receive network access

9 Series Configurable user control panels incorporate Infra-red (IR) receive capabilities as standard. When IR receive is required an LSP-SW-IR switch cap must be fitted in button position 5 for single column panels and position 10 for dual column panels. 6 Series Smart user panels can be upgraded to IR receive using the LSP-IRU retrofit kit which includes an IR switch cap.

The DyNet control network is easily accessed by removing the snap-on cover and inserting the LSP-PRO network connector into the miniature panel socket, as illustrated below. This enables system adjustments and programming to be carried out from any user control panel on the network.





DLP user control panels

panel ordering information

Detailed below are catalogue numbers for the standard panel configurations, which are supplied complete with blue LED status indicators, white covers, blank white buttons and white bezels.

Grid Plate	Configurable Panel	Smart Panel	Panel Options
1 Button	DLP910	DLP610	Green Status LED's - GL Red Status LED's - RL * When options are required, add desired option code suffix(es) to catalogue number eg. DLP910-BL
2 Button	DLP920	DLP620	
5 Button	DLP950	DLP650	
6 Button	DLP960	DLP660	
7 Button	DLP970	DLP670	
10 Button	DLP9100	DLP6100	

snap-on finish accessories ordering information

For alternate finish combinations, covers, bezels and buttons can be ordered separately using the catalogue numbers detailed below.

DLP Plastic Covers		600P Series Metallic Covers	
Grid	Electric White	Grid	Stainless Steel
1 Button	LSP-COV-01WE	1 Button	LSP-600P-01SS
2 Button	LSP-COV-02WE	2 Button	LSP-600P-02SS
5 Button	LSP-COV-05WE	5 Button	LSP-600P-05SS
6 Button	LSP-COV-06WE	6 Button	LSP-600P-06SS
7 Button	LSP-COV-07WE	7 Button	LSP-600P-07SS
10 Button	LSP-COV-10WE	10 Button	LSP-600P-10SS

600P Series Plastic Covers					
Grid	White	Ivory	Cream	Beige	Black
1 Button	LSP-600P-01WE	LSP-600P-01IV	LSP-600P-01CR	LSP-600P-01BE	LSP-600P-01BL
2 Button	LSP-600P-02WE	LSP-600P-02IV	LSP-600P-02CR	LSP-600P-02BE	LSP-600P-02BL
5 Button	LSP-600P-05WE	LSP-600P-05IV	LSP-600P-05CR	LSP-600P-05BE	LSP-600P-05BL
6 Button	LSP-600P-06WE	LSP-600P-06IV	LSP-600P-06CR	LSP-600P-06BE	LSP-600P-06BL
7 Button	LSP-600P-07WE	LSP-600P-07IV	LSP-600P-07CR	LSP-600P-07BE	LSP-600P-07BL
10 Button	LSP-600P-10WE	LSP-600P-10IV	LSP-600P-10CR	LSP-600P-10BE	LSP-600P-10BL

Engraved Individual Button Caps		
Button Cap Engraving Detail	White Cap	Charcoal Grey Cap
1	LSP-SW-WE-1	LSP-SW-CH-1
2	LSP-SW-WE-2	LSP-SW-CH-2
3	LSP-SW-WE-3	LSP-SW-CH-3
4	LSP-SW-WE-4	LSP-SW-CH-4
5	LSP-SW-WE-5	LSP-SW-CH-5
6	LSP-SW-WE-6	LSP-SW-CH-6
7	LSP-SW-WE-7	LSP-SW-CH-7
8	LSP-SW-WE-8	LSP-SW-CH-8
9	LSP-SW-WE-9	LSP-SW-CH-9
10	LSP-SW-WE-10	LSP-SW-CH-10
▲	LSP-SW-WE-UP	LSP-SW-CH-UP
▼	LSP-SW-WE-DOWN	LSP-SW-CH-DOWN
PROGRAM	LSP-SW-WE-PROGRAM	LSP-SW-CH-PROGRAM
ON	LSP-SW-WE-ON	LSP-SW-CH-ON
OFF	LSP-SW-WE-OFF	LSP-SW-CH-OFF
ON/OFF	LSP-SW-WE-ON/OFF	LSP-SW-CH-ON/OFF
HIGH	LSP-SW-WE-HIGH	LSP-SW-CH-HIGH
MED	LSP-SW-WE-MED	LSP-SW-CH-MED
LOW	LSP-SW-WE-LOW	LSP-SW-CH-LOW

* For 100 cap bulk pack, add -100 suffix to catalogue number eg. LSP-SW-WE-UP-100

Blank Button Caps & Bezels	
Cap - White	LSP-SW-WE
Bezel - White	LSP-BZ-WE
Cap - Charcoal	LSP-SW-CH
Bezel - Charcoal	LSP-BZ-CH
Cap to suit IR Receive	LSP-SW-IR
IR Retrofit Kit for 6 series panels (includes IR Receiver & Button Cap)	LSP-IRU



☎ +61 2 8338 9899
 📠 +61 2 8338 9333
 @ info@dynalite-online.com
 🌐 dynalite-online.com

DLP Data Sheet Rev H November 2006

Specifications subject to change without notice. © 2006 Dynalite Intelligent Light Pty Ltd. Unit 6, 691 Gardeners Road Mascot 2020 Australia. ABN 97 095 929 829. All rights reserved. Dimtek, DyNet and associated logos are the registered trademarks of Dynalite Intelligent Light Pty Ltd. Not to be reproduced without permission.

for further information contact: