



KIT RP
Camera housing with cable-management wall mount bracket (pole adaptor not included)

KIT R series CCTV camera housings

These die-cast aluminium flip-top housings are available in two lengths and three executions.

The flip-top design along with the smart solutions adopted for the accommodation of the internal accessories ensure compactness and ease of installation.

IP66 weatherproof rating and high standard materials guarantee an excellent protection of the camera even in extremely harsh working conditions.



KIT RC
Camera housing with ceiling mount bracket



KIT RA
Camera housing with wall mount bracket (pole adaptor not included)

ACCESSORIES

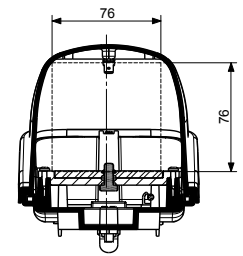
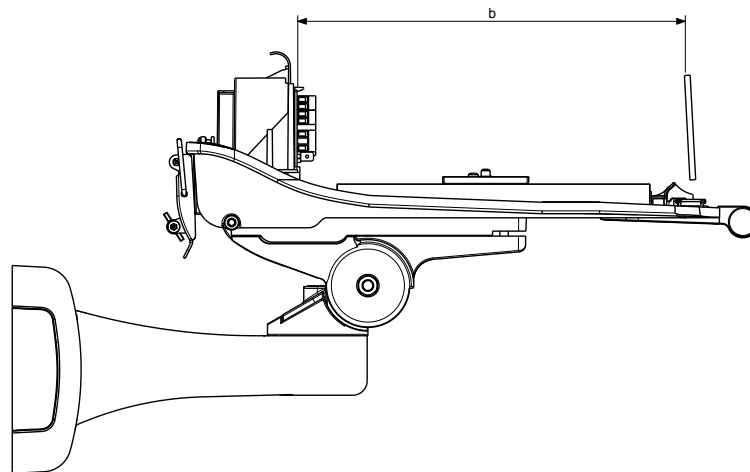
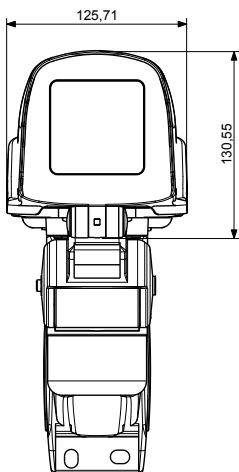
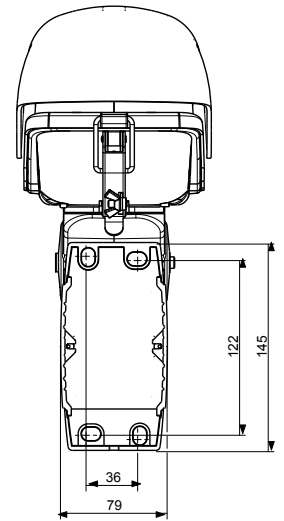
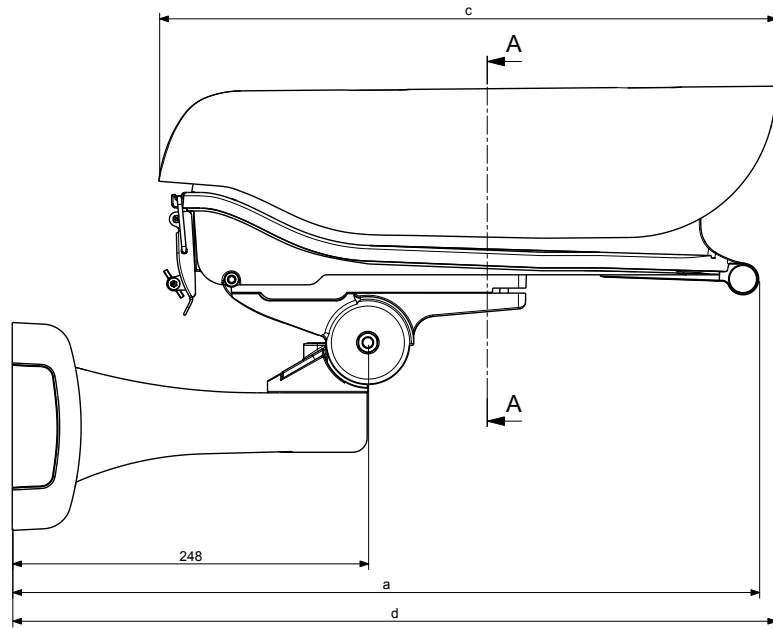
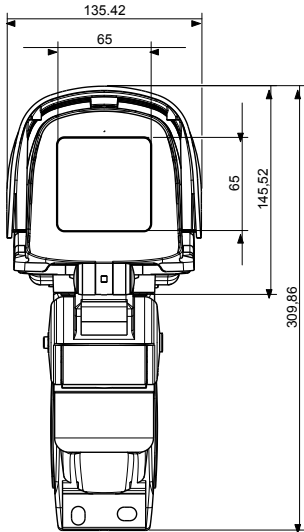
SSR	Sunshield
BW9+H6	Wall mount bracket and swivel head
CBR+H6	Ceiling mount bracket and swivel head
RG	Interchangeable plate and flexible conduit
SG	Silicagel bag (20pcs. package)
PTCR	Heater with thermostat (100-240Vac or 12-24Vac/Vdc)
ALR	Power supply unit (230Vac/24Vac or 230Vac/12Vdc)
VR	Blower kit with thermostat (230Vac or 24Vac)

TECHNICAL FEATURES

Construction	: Die-cast aluminium
Finish	: Polyester powder coating; white RAL9002
Internal dimensions (WxHxL)	: 75x75x230mm or 75x75x270mm
Window (WxH)	: 65x65mm
Weatherproof rating	: IP 66
Opening	: Flip-top
Cable entry	: No. 2 cable glands M16x1,5 (KIT RA, KIT RC); No. 4 internal cable glands for cables from 6 to 10 mm diam. (KIT RP)

KIT RP 230 / 270

Internal dimensions	76x76x230 mm	76x76x270xmm
Waterproof rating	IP 66	IP 66
Temperature range	-20°C / +50°C	-20°C / +50°C

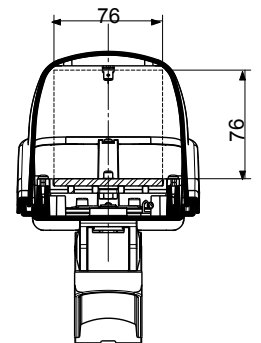
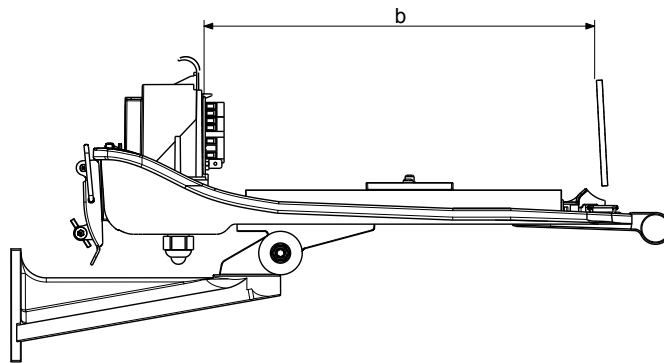
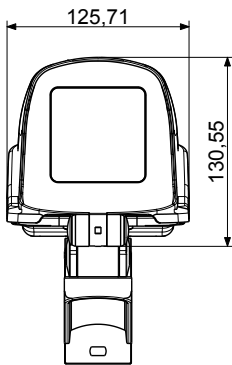
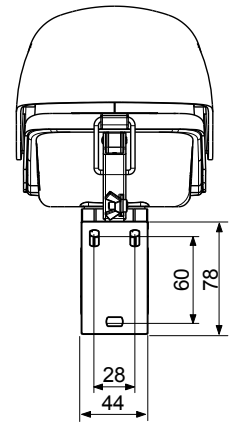
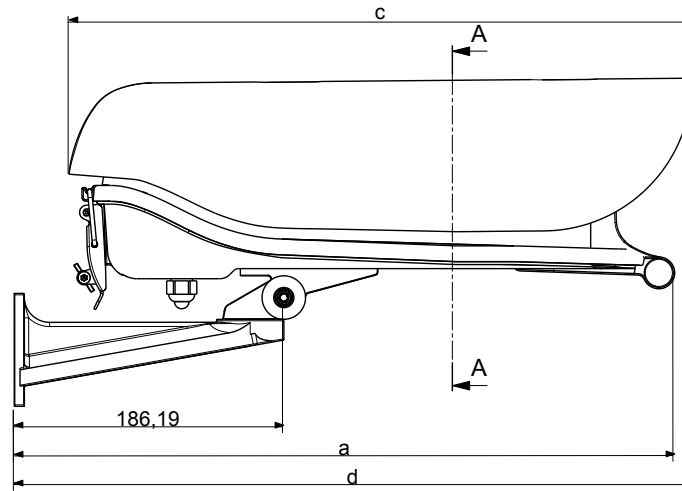
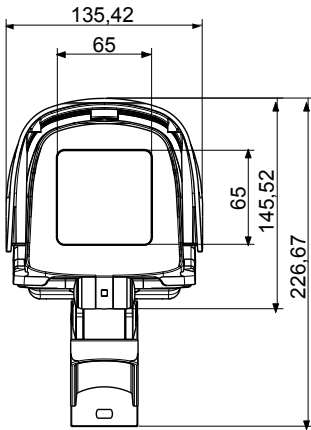


SEZIONE A-A

	230 mm	270 mm	
a (mm)	480.61	520.61	
b (mm)	230.00	270.00	Senza riscaldamento <i>With no heater</i>
c (mm)	390	430	
d (mm)	492.34	532.34	
	2.69	2.79	Peso della custodia (Kg) <i>Weight of the housing (Kg)</i>
	0.83	0.89	Peso del tettuccio (Kg) <i>Weight of the sunshield (Kg)</i>
	1.10		Peso del supporto e snodo (Kg) <i>Weight of the bracket and swivel head (Kg)</i>

KIT RA 230 / 270

Internal dimensions	76x76x230 mm	76x76x270xmm
Waterproof rating	IP 66	IP 66
Temperature range	-20°C / +50°C	-20°C / +50°C

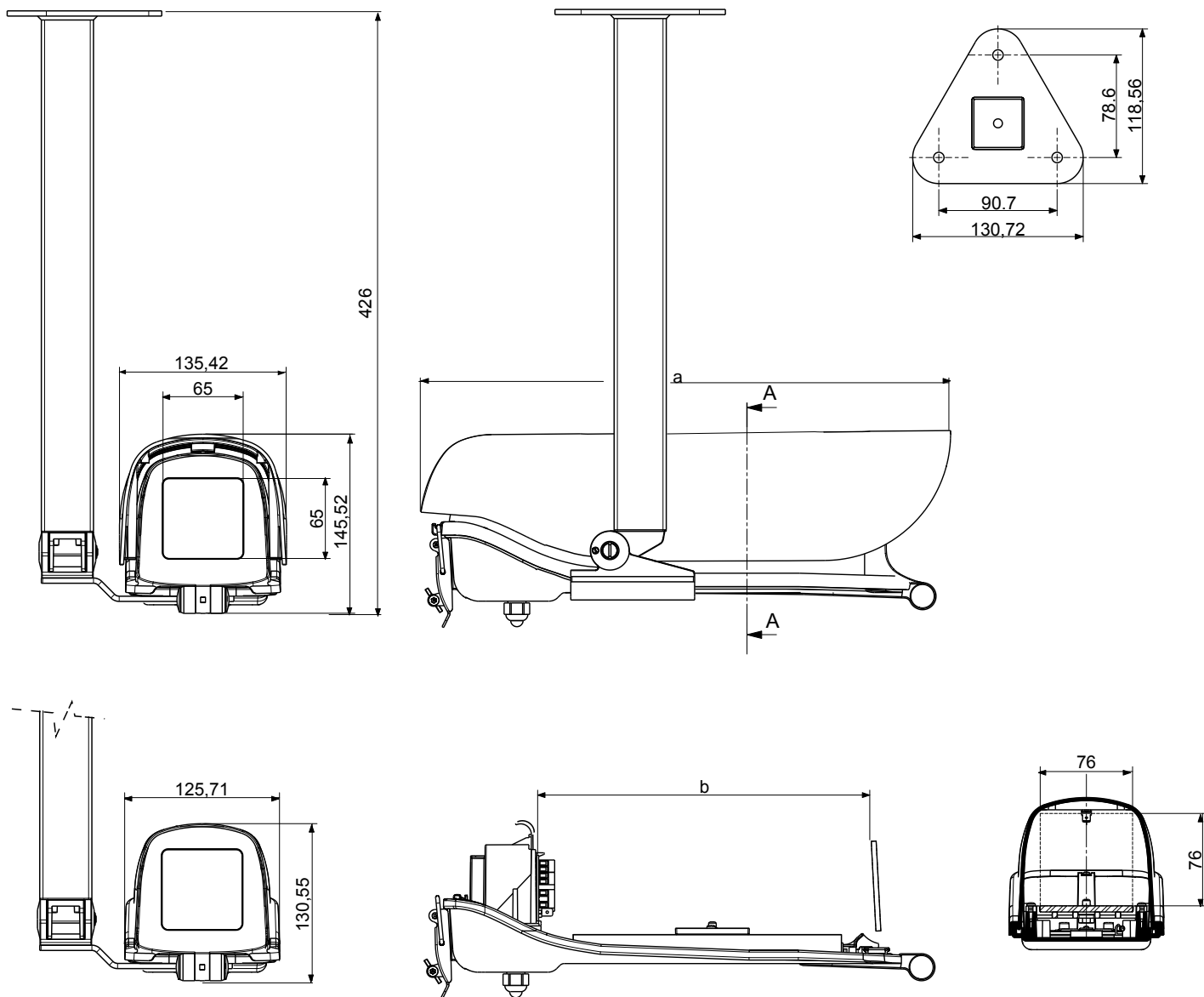


SEZIONE A-A

	230 mm	270 mm	
a (mm)	416.25	456.25	
b (mm)	230.00	270.00	
c (mm)	390	430	
d (mm)	428.1	468.1	
	2.60	2.70	Peso della custodia (Kg) Weight of the housing (Kg)
	0.83	0.89	Peso del tettuccio (Kg) Weight of the sunshield (Kg)
	0.40		Peso del supporto e snodo (Kg) Weight of the bracket and swivel head (Kg)

KIT RC 230 / 270

Internal dimensions	76x76x230 mm	76x76x270xmm
IP Rating	66	66
Temperature range	-20°C / +50°C	-20°C / +50°C



SEZIONE A-A

	230 mm	270 mm	
a (mm)	395.10	435.10	
b (mm)	230.00	270.00	
	2.60	2.70	Peso della custodia (Kg) <i>Weight of the housing (Kg)</i>
	0.83	0.89	Peso del tettuccio (Kg) <i>Weight of the sunshield (Kg)</i>
	1.60		Peso del supporto e snodo (Kg) <i>Weight of the bracket and swivel head (Kg)</i>