

HG2Z4516FCS-2

VARI FOCAL 2X 4.5~10mm F1.6

for 1/2" format cameras

CS-Mount

with Focus, w/o Amplifier

Model No.	HG2Z4516FCS-2		Effective	Front	φ 18.6mm
Focal Length	4.5 ~ 10 mm		Lens Aperture	Rear	φ 9.0mm
Max. Aperture Ratio	1 : 1.6		Back Focal Length	Tele	13.4mm
Max. Image Format	6.4 x 4.8mm (φ 8mm)			Wide	8.6mm
Operation Range	Iris	F1.6 ~ 360	Flange Back Length		12.5mm
	Focus	0.3m ~ Inf.	Mount		CS-Mount
	Zoom	4.5 ~ 10 mm	Filter Size		-
Control	Iris	Auto Iris	Dimensions		φ 33.5 x 42.6 x 43.5mm
	Focus	Manual	Weight		50g
	Zoom	Manual			
Object Dimension at M.O.D.	4.5 mm	51.5 × 34.9cm			
	10 mm	20.8 × 15.3cm			
Angle of View	D	102.3~47.6°	1/3"	76.1~35.8°	56.5~26.9°
	H	1/2" 81.3~38.2°		60.4~28.7°	1/4" 45.0~21.5°
	V	60.4~28.7°		45.0~21.5°	33.6~16.1°
Coil	Drive	190 ohm			
	Control	855 ohm			
Operating Temperature	-20° C ~ +50° C				

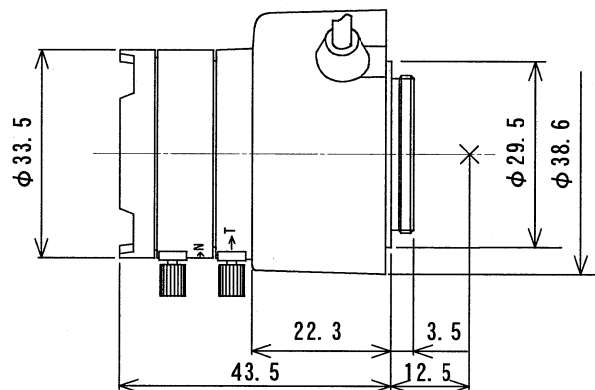
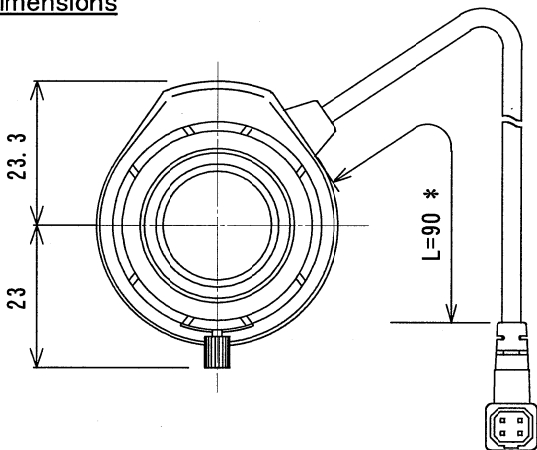
1/2

CS

AG

M.O.D. : Minimum Object Distance

Dimensions



Z

SP

* : 310mm cable is available

Wiring Diagram

