

The compact and slim ECM-530 table top microphone has been redesigned to include new features. An extendable stem, for improved microphone positioning, and an LED power indicator have now been added. Both these two features have already proved very popular on the ECM-531.

The ECM-530, a superb electret condenser microphone with a clear and natural sonic quality—satisfying a growing range of applications from small lecture theaters to large business conferences.

Features

Compact, Slim and Superb Design for Conference System Use

The ECM-530 is a compact table-top type microphone, designed for speech pick-up at conferences and lectures. The elegant body, with its matt black finish will harmonize with its surroundings in conference theaters or lecture rooms.

Gooseneck and Extendable Stem for Flexible Microphone Positioning

The slim gooseneck and extendable stem allow flexible microphone positioning for the best sound pick-up of the speaker towards which it is aimed.

Enhanced Noise Protection

An isolator incorporated at the bottom of the round base protects the microphone from external acoustic interference such as table vibration.

Two-Way Powering

With a single AA-size alkaline battery the ECM-530 will operate for approximately 8,000 hours consecutively. When used in a conference application, this superb-quality, table-top microphone, can be operated on DC 12 to 48V external power supply, typically from an audio mixer or an audio/video recorder which has this facility.

Inconspicuous Wiring

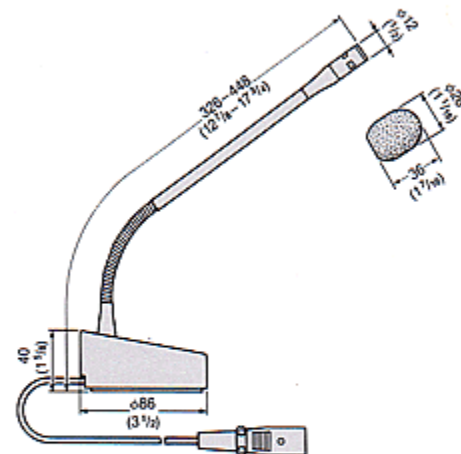
The microphone output cable appears at the rear of the microphone base. When the ECM-530 is fixed on the table with screws, the output cable can be bent vertically and wired through a hole in the table. Wiring of the output cable will not then detract from appearance of the rostrum.

LED Power Indicator (for external power supply)

The built-in LED power indicator confirms that power is correctly supplied to the microphone when it is operated on an external power supply.

Specifications

Capsule type:	Electret condenser
Directivity:	Uni-directional
Frequency response:	70 to 18,000Hz
Sensitivity:	-49dB \pm 3dB (3.5mV, 0dB=1V/Pa at 1kHz)
Output impedance:	150 Ω at 1kHz, balanced
Signal-to-noise ratio:	More than 63dB
Inherent noise:	Less than 31dB SPL
Wind noise:	Less than 55dB SPL/2ms (with a supplied wind screen)
Dynamic range:	More than 95dB
Max. input sound pressure level:	126dB SPL
Battery:	IEC R6 or LR6 (size AA) battery \times 1
External power supply:	DC12 to 48V
Current power consumption:	Less than 0.23mA (with a battery) Less than 2mA (with external power supply)
Battery life:	Approx. 8,000 hours (with LR 6) Approx. 5,000 hours (with R 6)
Output connector:	XLA-3-12C (XLR type)
Cable length:	Approx. 2m (6.6 feet)
Weight:	Approx. 325g (11.5 oz) without a battery and cable Approx. 440g (15.5 oz) with a battery and cable
Supplied accessory:	Wind screen
Dimensions:	



* Design and specifications subject to change without notice.

Distributed by

A-0754-A
MK2625MP9306P2-005

Sony Corporation
Printed in Japan © SONY

Electret Condenser Microphone
ECM-530

